

Data Sheet

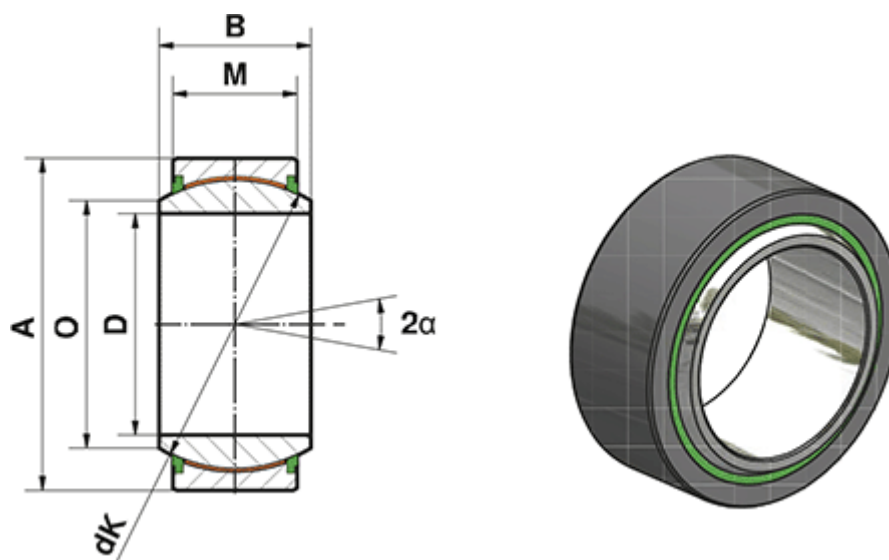


Article number: 03445040

Description: Fluro Heavy Duty Spherical Plain Bearing GE 40 EW-2RS
Hole Ø40

Note: 40

Measures



A	= 62	Static load C0 (kN) = 462
a (degrees)	= 7	Weight (g) = 300
B	= 28	
D	= 40	
dK	= 53	
Dynamic load C (kN)	= 277	
M	= 22	
O	= 45	